

1

2

3

4

A

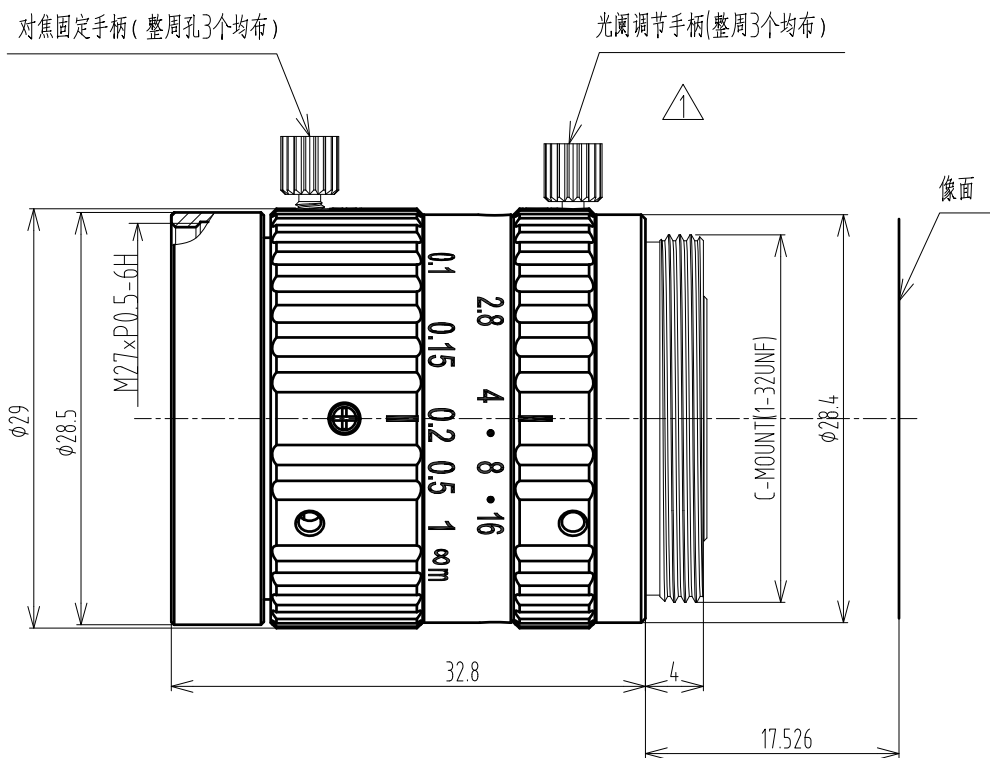
A

B

B

C

C




2/3" F2.8/12 C Mount

Working distance

Optical Magnification

2/3" Field of View(mm)

| Focal Length | f=12mm | | | mm | | H | V | |
|---|---------------------|-----------------|--------------------|---------|--------|--------|--------|-------|
| Max Diameter (Ratio) | F=1:2.8~16 | | | 5000 | 0.002X | 3641.7 | 2731.7 | |
| Picture Size | 2/3"(8.8x6.6mm) | 1/2"(6.4x4.8mm) | 1/3"(4.8x3.6mm) | 2000 | 0.006X | 1462 | 1096.5 | |
| | Angle | H | 39.8° | 29.5° | 22.3° | 1000 | 0.012X | 735.4 |
| V | | 30.4° | 22.3° | 16.8° | 900 | 0.013X | 662.7 | 497 |
| D | | 48.5° | 36.4° | 27.7° | 800 | 0.015X | 590 | 442.5 |
| Object Dimension at 200mm  | H | 153.8mm | 111.9mm | 83.8mm | 700 | 0.017X | 517.4 | 388 |
| | V | 115.4mm | 83.8mm | 62.7mm | 600 | 0.02X | 444.7 | 306.3 |
| | D | 193.3mm | 140.2mm | 104.8mm | 550 | 0.022X | 408.4 | 306.3 |
| Distortion (TV) | <0.2% | <0.1% | <0.03% | 500 | 0.024X | 372 | 279 | |
| Focus distance(min) | 0.1m | | | 450 | 0.026X | 335.7 | 251.8 | |
| Flange back | 17.526mm in air | | | 400 | 0.029X | 299.3 | 224.5 | |
| Back focus | 13.8mm(min) | | | 350 | 0.033X | 263 | 197.2 | |
| Filter screw size | M27x0.5 | | | 300 | 0.039X | 226.6 | 170 | |
| Front/Rear Effective Dia | Front ϕ 17.7mm | | Rear ϕ 8.65mm | 250 | 0.046 | 190.2 | 142.7 | |
| Mount | C-Mount | | | 200 | 0.057X | 153.8 | 115.4 | |
| Temperature Range | -10~+50°C | | | 150 | 0.075X | 117.4 | 88 | |
| Storage Temperature Range | -20~+60°C | | | 100 | 0.109X | 80.7 | 60.3 | |

D

D

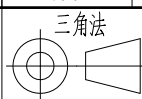
E

E

F

F

TOLERANCE :
 . LINEARITY TOLERANCES ± 0.05
 . ANGULAR TOLERANCES ARE $\pm 30'$
 . DRAFT ANGLES AREA $\pm 0.5'/SIDE$



材料(环保)

单位

mm

比例

2:1

设计

校对

审核

批准

名称

FA1210A规格书

代号

FA1210A-Spec

页码

1/1

版本

V2

标记

处数

更改文件号

担当

变更日期

1

2

3

4

A4